

# Current Transformers

## plastic casing type

Secure offers a comprehensive range of plastic casing type current transformers that are accurate and reliable and takes care of most customer requirements.

- Solid or single core transformers
- Standard range: - 40 to 400A, 1 or 5A Secondary.



### Technical information

#### Current transformers

##### Technical data

Standards	IEC 60044-1
Accuracy class	I (.5 and 1)
Rated burden	see product range
Rated voltage	415 V, 50-60 Hz ( Phase to phase)
Highest System Voltage	720 V
Rated Continuous Thermal current temperature rise over ambient	As per IEC 60044-1
No. of Cores	One
Continuous Primary Current	1.2 times of rated current
One Minute withstand Power Frequency Voltage for Primary & secondary winding	4 KV
ISF	Less than 5
Rated Short Time Current	40XIp
Insulation Class	E

### Material

Core	High-grade non-ageing electrical low loss core
Conductor	Super enameled copper wire of requisite diameter.
Insulation	Engineering Plastic casing ( Non- flammable)
Mounting arrangement	Metallic clamps ( replaceable type)

### Primary & Secondary Terminals

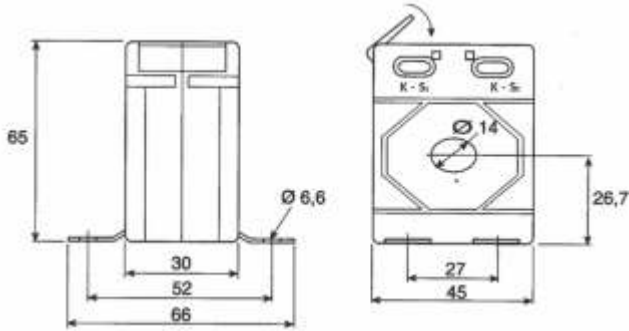
Primary	Primary will be Ring type, proper marking will be provided for current direction identification.
Secondary terminal	Secondary Terminals S1 & S2 will be clearly marked. Secondary Terminals will have sealing arrangement.

Class	Current Error Limit + - %				Phase Angle Error Limit + - %			
	5	20	100	120	05	20	100	120
	% of nominal primary current				% of nominal prim. current			
0.5	1	0.75	0.75	0.75	90	45	30	30
1.0	3	1.5	1	1	180	90	60	60

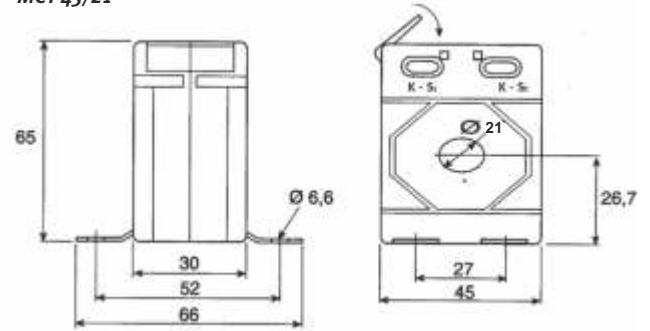
# Current Transformers

## Dimension drawings

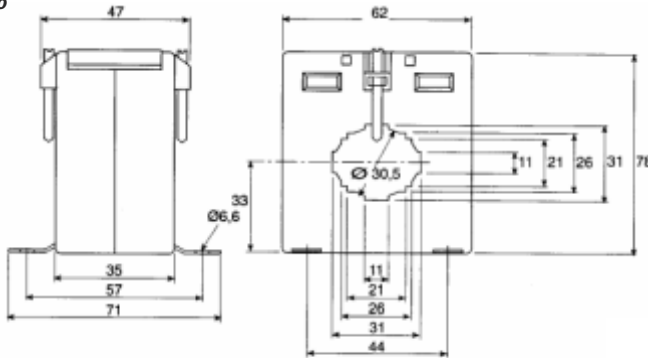
MCT 45/14



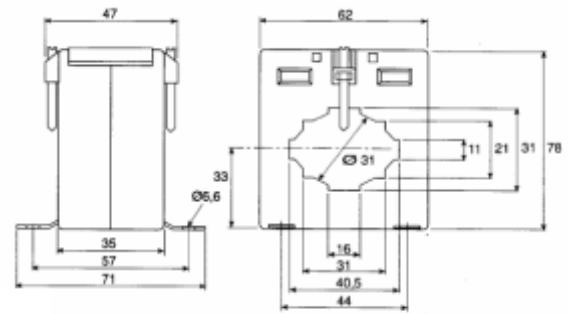
MCT 45/21



MCT 62/30



MCT 62/40



### MOULDED CASE RING TYPE LT CT (IEC60044-1)

Sr. No	CT RATIO	VA	CLASS	TYPE	ID / SLOT (mm) ± 1 mm	MODEL
1	40/5 A	1.0	3	RING	14	MCT 45/14
2	40/5 A	1.0	3	RING	21	MCT 45/21
3	50/5 A	1.0	1	RING	14	MCT 45/14
4	50/5 A	1.0	1	RING	21	MCT 45/21
5	60/5 A	1.5	1	RING	14	MCT 45/14
6	60/5 A	1.5	1	RING	21	MCT 45/21
7	75/5 A	1.5	1	RING	14	MCT 45/14
8	75/5 A	1.5	1	RING	21	MCT 45/21
9	100/5 A	2.5	1	RING	14	MCT 45/14
10	100/5 A	2.5	1	RING	21	MCT 45/21
11	100/5 A	2.5	1	RING	30	MCT 62/30
12	150/5 A	2.5	0.5	RING	21	MCT 45/21
13	150/5 A	2.5	0.5	RING	30	MCT 62/30
14	150/5 A	5.0	1	RING	21	MCT 45/21
15	150/5 A	5.0	1	RING	30	MCT 62/30
16	200/5 A	5.0	0.5	RING	21	MCT 45/21
17	200/5 A	5.0	0.5	RING	30	MCT 62/30
18	200/5 A	5.0	1	RING	21	MCT 45/21
19	200/5 A	5.0	1	RING	30	MCT 62/30
20	250/5 A	5.0	0.5	RING	21	MCT 45/21
21	250/5 A	5.0	0.5	RING	30	MCT 62/30
22	250/5 A	5.0	1	RING	21	MCT 45/21
23	250/5 A	5.0	1	RING	30	MCT 62/30
24	300/5 A	5.0	0.5	RING	30	MCT 62/30
25	300/5 A	10.0	1	RING	30	MCT 62/30
26	300/5 A	5.0	0.5	RING	30	MCT 62/30
27	300/5 A	10.0	1	RING	30	MCT 62/30
28	400/5 A	5.0	0.5	RING	40	MCT 62/40
29	400/5 A	10.0	1	RING	40	MCT 62/40